



MAIN DRAINS BWT

A GUARANTEE OF
QUALITY & RELIABILITY

For You and Planet Blue.

 **BWT**
BEST WATER TECHNOLOGY



Main drains BWT

Quality and reliability

TECHNICAL DATA

Made in France, BWT main drains embody the latest in technological innovation, reliability and quality are guaranteed.

The range is sub-divided into 3 categories, each dedicated to a particular type of pool; liner, concrete and polyester shell.

- Made of pool grade, UV stable PVC,
- Two sets of flange screw housings,
- Self-adhesive elastomer seals,
- Screws made entirely of stainless steel, identical for each part,
- Protective work site covers,
- Available in a range of colours,
- Made in France.

UV STABLE PVC

Anti-UV treated pool chemical resistant ABS gives BWT main drains a bright finish that doesn't fade over time under normal conditions of use.

MAIN DRAIN BODY

The body of the BWT main drain is always the same, whether it is a liner or concrete model.

In the event of leaks in a traditional pool fitted with a BWT main drain, a reinforced membrane or liner can be easily fitted. The "concrete" main drain is transformed into a "liner" main drain by the simple addition of the necessary flange, seals and screws.

COMMON SCREWS

All the screws required to fit a BWT main drain are made of 18/10 stainless steel and are identical. Therefore it is easy to keep a supply in stock for future requirements.

LINER MARKINGS

Tactile markers molded into the body of each BWT main drain help the installer easily locate the flange screw housings under a liner or even under a 1.50 mm reinforced membrane.

ANTI-VORTEX MECHANISM

BWT main drain bodies are equipped with a mechanism that prevents the formation of a vortex that can draw in air and deprime the filtration pump while the pool is being emptied.

WORK SITE PROTECTIVE COVERS

The self-adhesive work site covers delivered with each BWT main drain are intended to be fitted over the main drain to protect the body of the main drain and the screw housings and stop them from being damaged or filled in with cement or concrete while the pool is being built.

SAFETY

The BWT BL-311/BB-310 main drain is designed to continuously draw water in from the top and the sides of the grating. This means it can never become obstructed by a person and there is no risk of accidents.

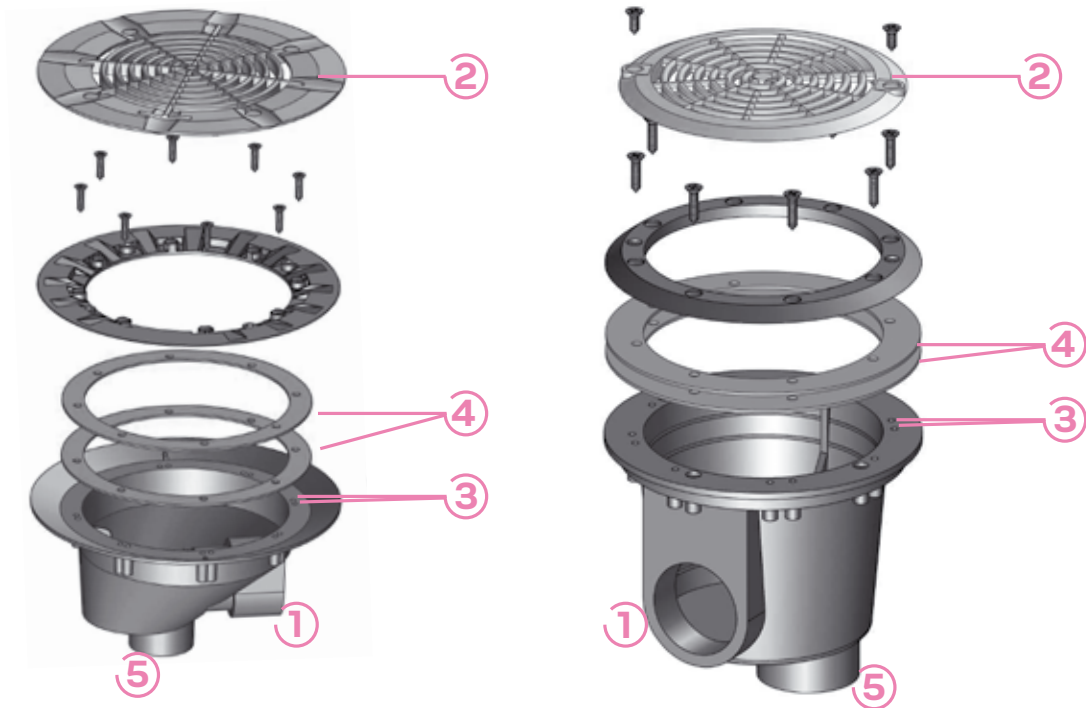
DRAINAGE

BWT BL-311/BB-310 main drains are designed to connect with any type of drainage pump up to a diameter of 175 mm to totally drain the pool.





Masonry Liner & Concrete



1 LATERAL OUTLET

The BL-311/BB-310 main drain comes with a lateral solvent outlet, 50 or 63 mm. This allows a flow rate through the main drain of up to 8 m³/h with 50 mm pipes, and up to 15 m³/h with 63 mm pipes.

The BL-211/BB-210 main drain has a 2" threaded lateral outlet. A flow rate of up to 15 m³/H is possible with 63 mm pipes. To use the BL-210/BB-210 with 50 mm pipes, simply fit a 2"x 50 reduction union. The maximum flow rate through the main drain in this configuration is 8 m³/h.

2 GRATING

The grating on BWT main drains was especially designed to allow pool robots to pass over it without any difficulty.

The shape of the grating was also devised to withstand the weight of a person using the pool (flat bottom pools).

3 TWO SETS OF FLANGE SCREW HOUSINGS

The body of each BWT main drain features two sets of flange screw housings. In the case of repetitive dismantling and reassembly required

for the purposes of maintenance or repair, the screw housings can become deformed. Under such circumstances, the second set of screw housings can be used.

4 SELF-ADHESIVE SEALS

The liner versions of BWT main drains come with 2 self adhesive elastomer seals that are very easy to install and resistant to pool treatment chemicals.

5 SORTIE BASSE

BWT main drains are equipped with a 50 mm solvent bottom outlet sealed by an easily pierced disc.

Left intact, this outlet can be used to position and stabilize the main drain before the concrete base is poured. Simply slide it onto a 50 mm PVC pipe that has been cut at an angle and driven into the ground.

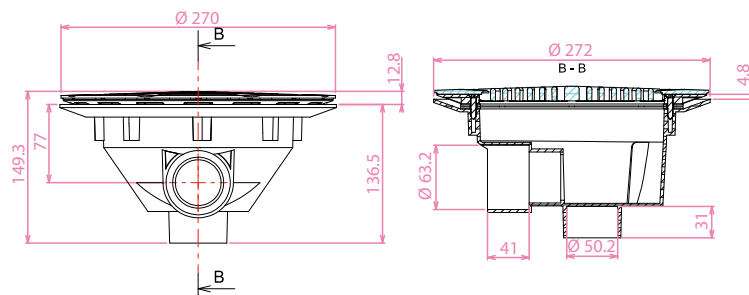
BWT BL-211/L and BB-210/L main drains come with a tapped 1 1/2" bottom outlet and a threaded plug fitted with an o-ring.

Maçonnerie, liner & béton

BWT BL-311

Code : 41015000 - Lateral port Ø 50 mm or Ø 63 mm, solvent.

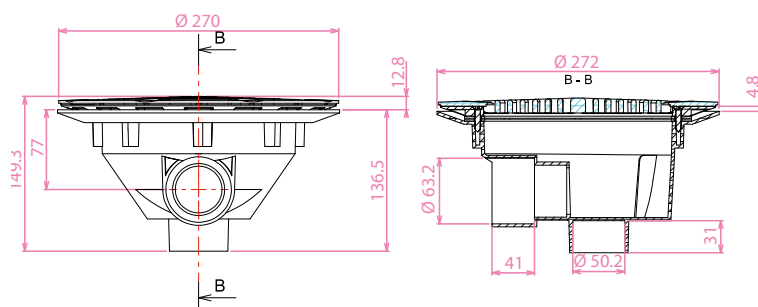
British/ metric versions available: 48.3 mm or 60.3 mm, solvent.



BWT BL-311-I

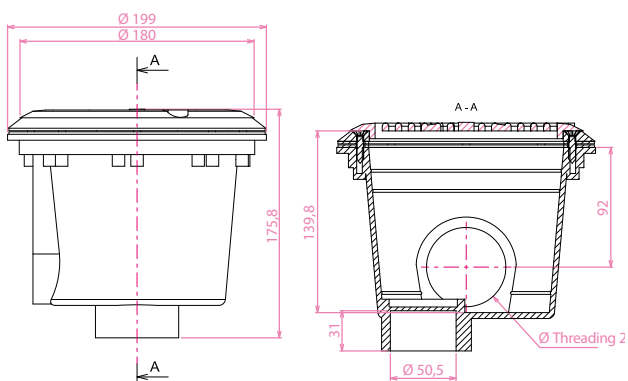
Code : 41015090 - Lateral port Ø 50 mm or Ø 63 mm, solvent, with stainless steel grating.

British/ metric versions available: 48.3 mm or 60.3 mm, solvent.



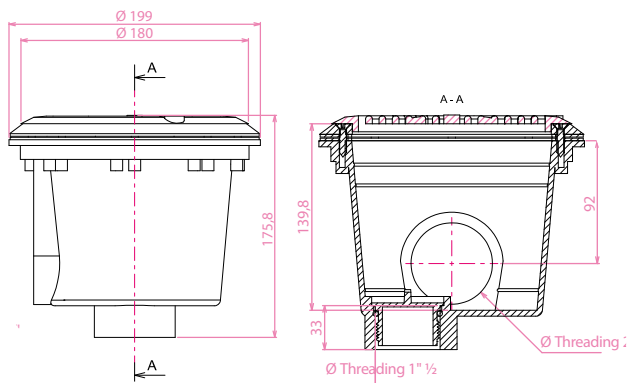
BWT BL-211

Code : 41012000 - 2 ports (2" and 50 mm, solvent).



BWT BL-211-L

Code : 41013000 - 2 ports (2" and 1 1/2") with plug and o-ring.



Choice and harmony throughout the range!

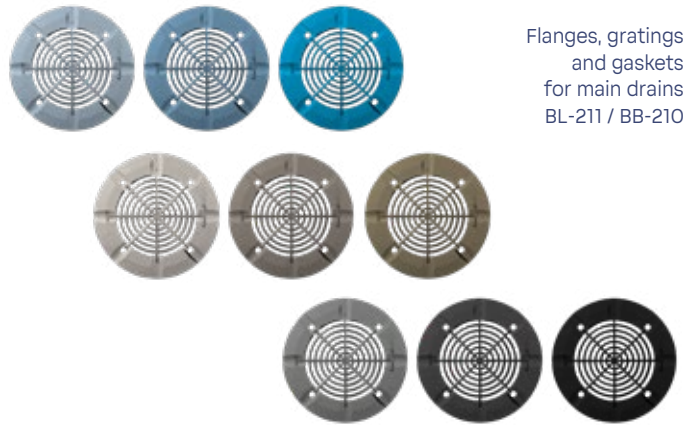
The BWT Color range of main drains are available in a spectrum of 12 colours:

A BWT exclusive!

*Uniquement BL-311

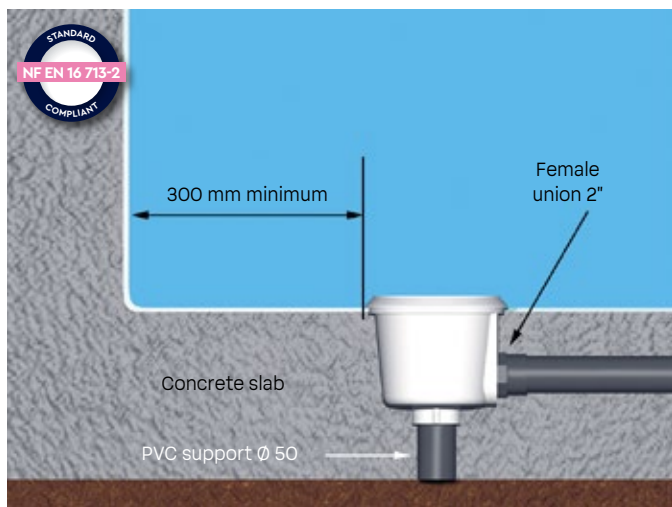


Flanges, gratings and gaskets for main drains BL-311 / BB-310

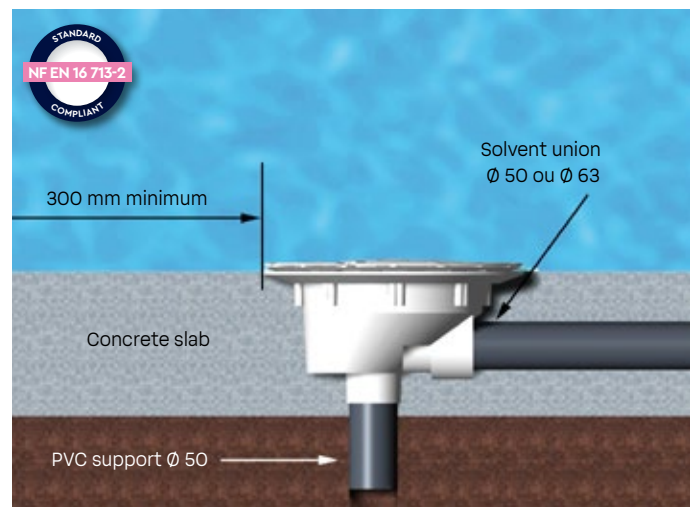


Flanges, gratings and gaskets for main drains BL-211 / BB-210

Main drain seating



BWT BL-211



BWT BL-311

i BWT main drains fulfil two essential functions in the pool's hydraulic circuit: Suction and filtration (recommended 30% of the recycling volume), Draining the pool.



If you drink Diamond Mineralized Water, you have made a decision. You have chosen local water that has been enriched with valuable magnesium and silicate using the patented technology from BWT. You have decided against conventional bottled water, which has to be shipped many kilometers unnecessarily and pollutes the environment. You also decided that you give a child in Africa access to safe drinking water. You have chosen a better world. Sip by sip.
Thank you.

CHANGE THE WORLD - SIP BY SIP.



Cachet du revendeur :



BWT Best Water App

